

Muto Premium Recessed Mount

XL150 - Ceiling mount [Less DORMOTION]
with Sidelites (wood door)

Installation instructions

936065 - 10-2021

| EN |

dormakaba 

Table of contents

1	Technical specifications	3
1.1	Overview	3
	1.1.1 General information	3
	1.1.2 Intended use	3
	1.1.3 Glass requirements and fittings	3
	1.1.4 Requirements for glass panel	3
	1.1.5 Safety instructions	3
	1.1.6 Symbols used - Safety/Installation	3
	1.1.7 Maintenance, care, repair	3
	1.1.8 Disposal	3
1.2	Specifications - technical data	4
2	Installation instructions	5
2.1	Overall	5
2.2	Installing end stops	6
2.3	Securing gasket to track	6
2.4	Securing sidelite section profile to track	6
2.5	Securing track and sidelite extrusion into ceiling (and drop ceiling extrusion, if supplied)	7
2.6	Specifications for securing track to mounting surface	8
2.7	Door/wall dimensions	9
2.8	Installing hook set	10
2.9	Installing u-channel for sidelite	10
2.10	Installing sidelite glass	11
2.11	Installing sidelite glass filler panel	12
2.12	Installing sidelite glass gasket	12
2.13	Securing wood door adaptor	13
2.14	Installing roller carriers	14
2.15	Disengaging the anti-jump	15
2.16	Install door/rollers in track	15
2.17	Install floor guide	16
2.18	Engaging anti-jump	17
2.19	Adjustment door height	17
2.20	Adjustment end stop location: LEADING end stop Adjustment end stop location: TRAILING end stop	18
2.21	Secure drop ceiling extrusion to cover	19
2.22	Install recessed cover clips	20
2.23	Install brush profile	20
2.24	Install view protection clips	21
2.25	Cover spacers	21
2.26	Install cover and view protection profile	22
2.27	Install end caps	22
3	Optional applications	23

1 Technical specifications

1.1 Overview

These instructions are for installation of MUTO PREMIUM sliding door system XL150 for wood door the following mounting and style versions:

1. Recessed mounting

1.1.1 General information

- dormakaba requires use of tempered monolithic or tempered laminated glass.
- dormakaba glass hardware is not suitable for application in rooms where chemicals (e.g. chlorine) are used as indoor swimming pools, saunas or salt-water pools.
- Never move sliding panels faster than walking speed and always stop the door manually before it reaches end position.
- Do not slide doors with excessive force. Install limiting stop to prevent door from opening too far.

1.1.2 Intended use

- For sliding door in dry indoor areas only
- For manual slowly opening and closing only

1.1.3 Glass requirements and fittings

- The substructure/wall must be able to bear permanent loads and be level (max. tolerance: 1/16" [2] per 39" [1m]).
- Fasteners must be sufficiently dimensioned for the substructure/wall and weight of the door.
- When adjusting glass components, always stick to the required clearance for the respective hardware. Adjust clearance so glass does not come in contact with any hard surfaces such as glass, metal or concrete.
- Do not use excessive force when installing the glass (avoid over tightening screws).

1.1.4 Requirements for glass panel

- dormakaba requires use of fully tempered glass, which complies with ASTM C 1036 and ASTM C 1048. Secondary heat soaking processes are recommended but not required. This applies to both tempered monolithic and tempered laminated glass.
- Clamping area must be flat and uncoated (no self-cleaning coating!)
- Never use glass with conchoidal fractures and/or damaged edges.

1.1.5 Safety instructions

- Installation requires two people.
- Always wear protective clothing.

- Only properly qualified and specially trained staff are authorized to mount dormakaba glass hardware.
- Due to crushing hazards and possible injury caused by breakage of glass during mounting, corresponding protective clothing (especially gloves and protective goggles) is required.
- Never clamp metal fitting hardware directly to glass surface.

1.1.6 Symbols used - Safety/Installation



CAUTION

Mounting components must meet the requirements of substructure/wall and door weight. Please read the technical information for fittings.



WARNING

Risk of breaking glass. When installing the door, support the door panel with a block of wood or similar object.



TIPS AND RECOMMENDATIONS

Information note



CLOSING EDGE

1.1.7 Maintenance, care, repair

- Immediately replace damaged parts.
- Always use original dormakaba parts.
- Clean clamping area with alcohol-based standard commercial cleaning agent before mounting the glass hardware.
- Use a damp clothe for occasional cleaning, especially the track.
- Always use silicone - and oil-free cleaners (e.g. acetone).
- Check glass hardware at regular intervals for proper positioning and smooth operation and correct adjustment.
- High traffic door systems require inspection by properly qualified staff (specialized companies or installation firms.)

1.1.8 Disposal

Disposal in accordance with local, state and national regulations.

1.2 Specifications - technical data

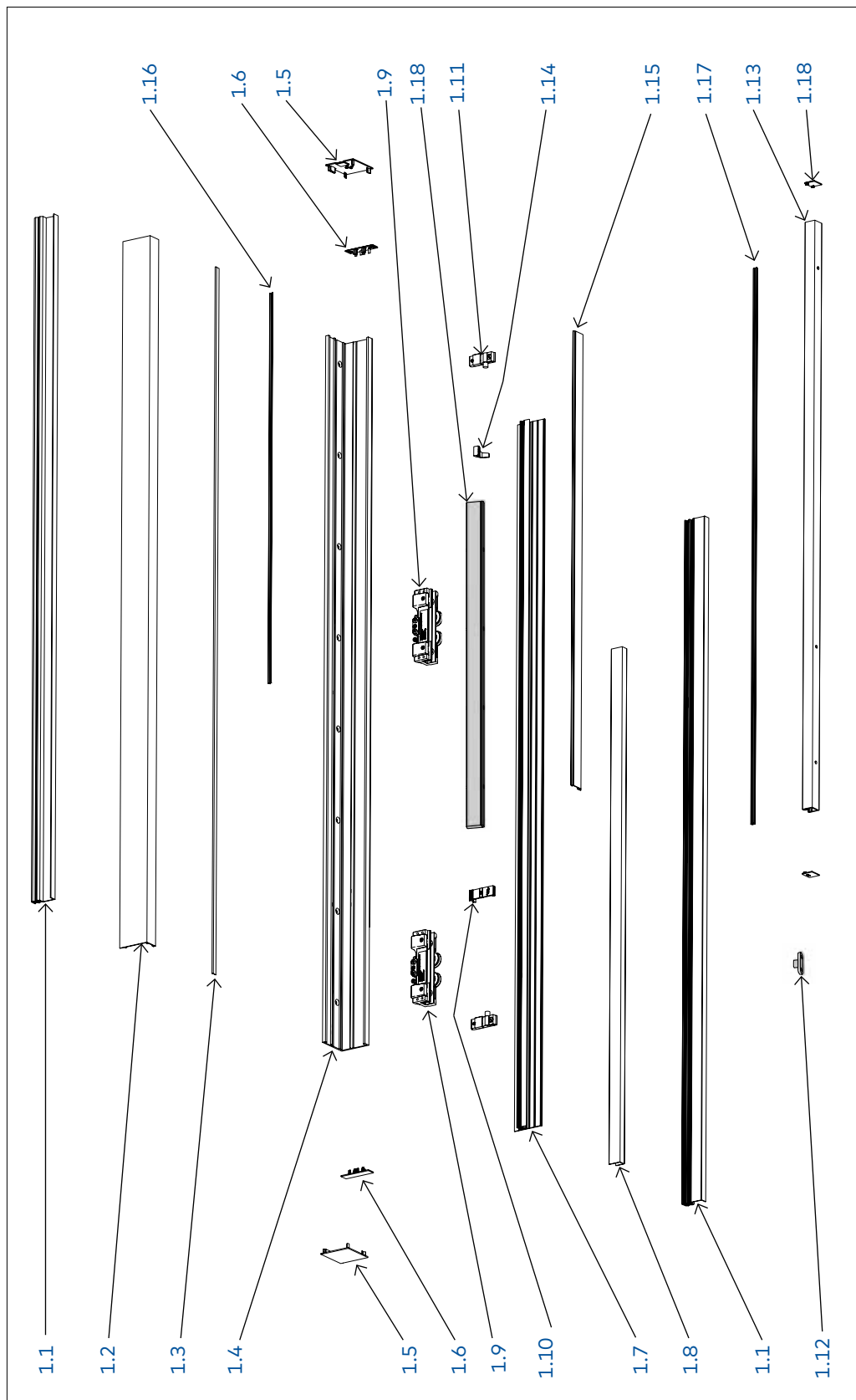
		Single door	Sidelites on both sides
		XL150	XL150
Ceiling mount	Door leaf weight lbs [kg]	≤330lbs [≤150]	2 x ≤330lbs [2 x ≤150]

* Including weight of auxiliary hardware.

2 Installation instructions

2.1 Overall

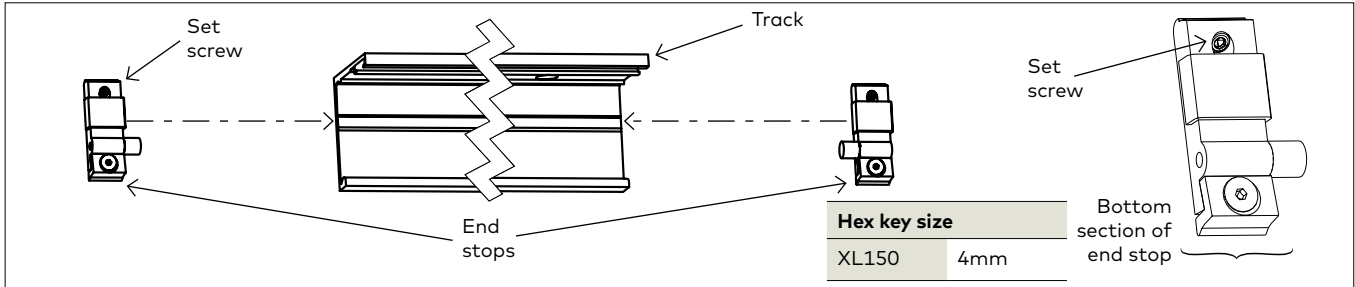
Fig. 1



- | | | | | | | | |
|-----|-----------------------------------|-----|--------------------------|------|-----------------------|------|-------------------------|
| 1.1 | Drop ceiling extrusion (optional) | 1.6 | Sidelite end cap | 1.10 | Recessed cover clips | 1.15 | View protection profile |
| 1.2 | Cover | 1.7 | Sidelite section profile | 1.11 | End stop | 1.16 | Sidelite glass gasket |
| 1.3 | Brush strip | 1.8 | Filler panel | 1.12 | Floor guide | 1.17 | U-channel gasket |
| 1.4 | Track | 1.9 | Roller carriers | 1.13 | U-channel | 1.18 | U-channel end caps |
| 1.5 | End Cap | | | 1.14 | View protection clips | 1.19 | Wood door adaptor |

2.2 Installing end stops

Fig. 2



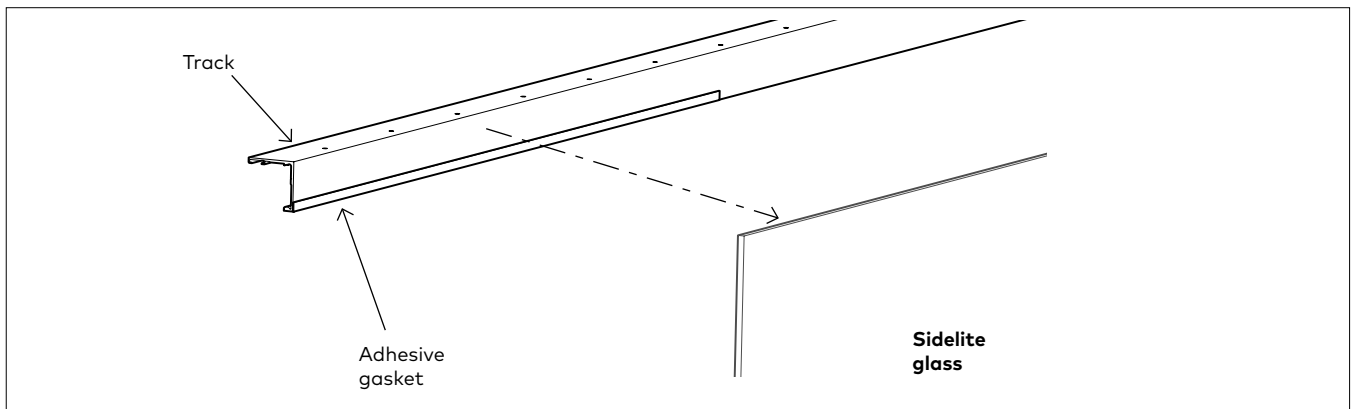
2.2.1 Slide end stops into each end of the track.
NOTE: Loosen bottom section of end stop for easier install.

NOTE: FOR XL150 end stops, be sure set screw is flush with back of end stops.

NOTE: Exact location/adjustments will be determined in the Adjustment End Stop Location step.

2.3 Securing gasket to track

Fig. 3

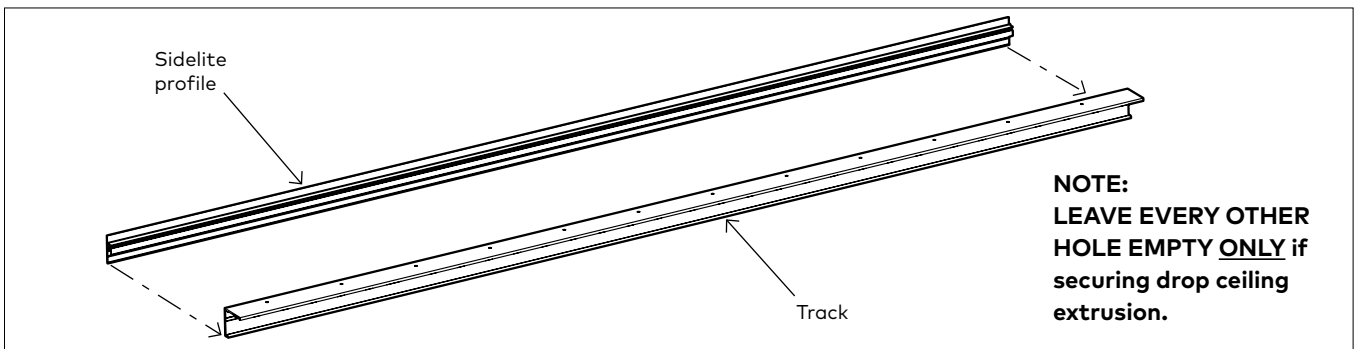


2.3.1 Ensure the track is cut to proper length.
NOTE: SEE DIMENSION INSTRUCTIONS ON PAGE 9.

2.3.2 Cut adhesive gasket equal to sidelite glass width.
 2.3.3 Adhere gasket along bottom edge of back of track.

2.4 Securing sidelite section profile to track

Fig. 4



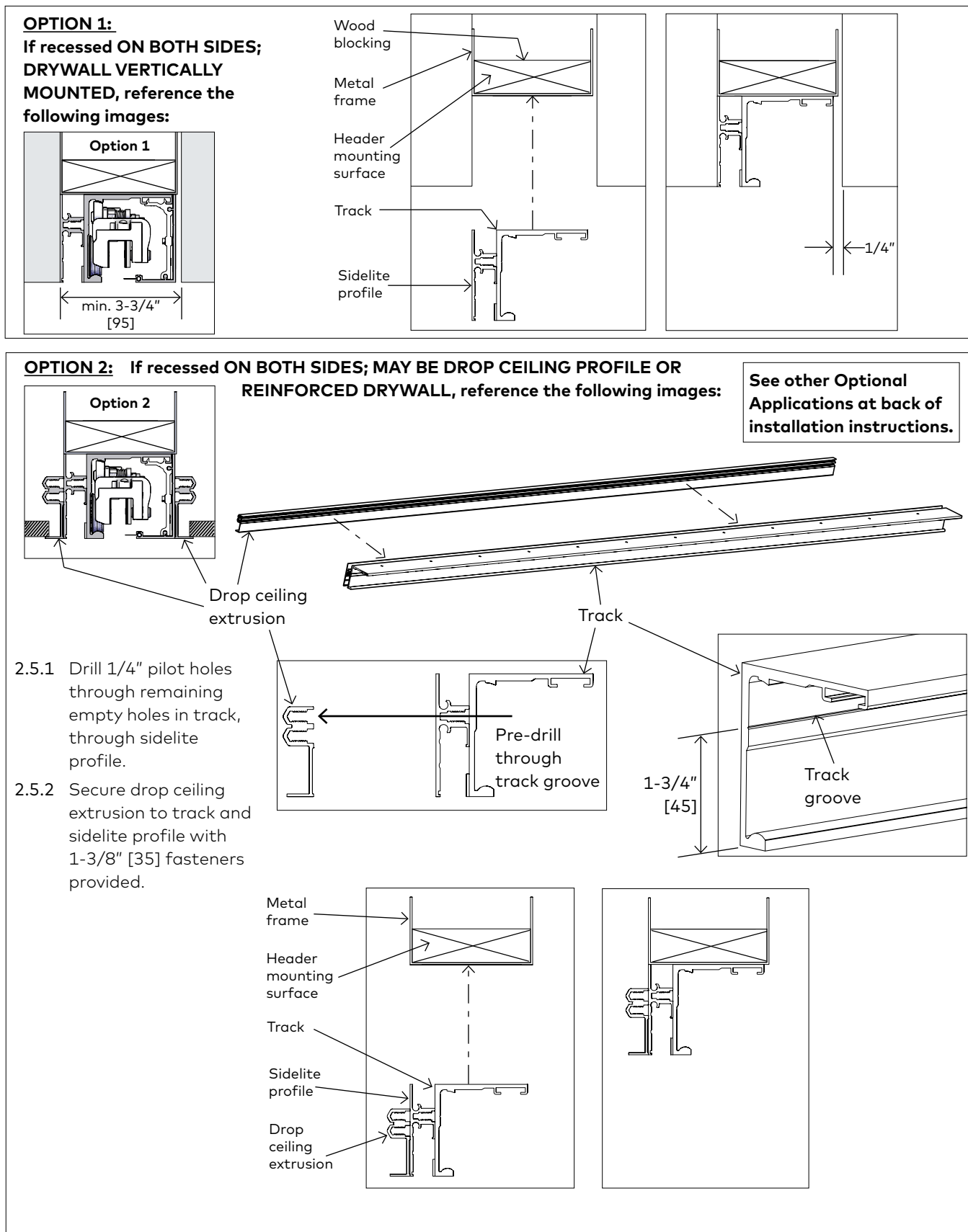
2.4.1 Align sidelite profile holes with track profile holes.
NOTE: Holes will be predrilled ever 7-7/8" [200].

NOTE: Be sure fastener heads are flush with track to avoid rollers catching protruding fasteners.

2.4.2 Secure with 9/16" [14] fasteners provided.

2.5 Securing track and sidelite extrusion into ceiling (and drop ceiling extrusion, if supplied)

Fig. 5



2.6 Specifications for securing track to mounting surface

2.6.1 Ensure the track is properly level and secure it to the header mounting surface per the appropriate measurements on the following page.

2.6.2 Use appropriate fasteners according to the following recommendations.

NOTE: SEE DIMENSION INSTRUCTIONS ON NEXT PAGE FOR REFERENCE.

NOTE:

OVERHEAD REINFORCEMENT:

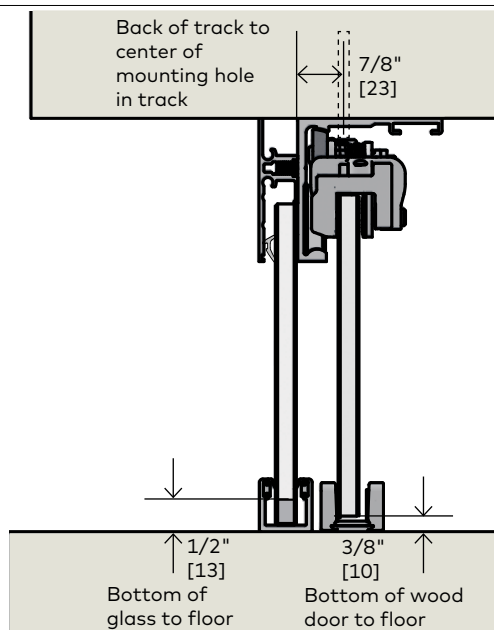
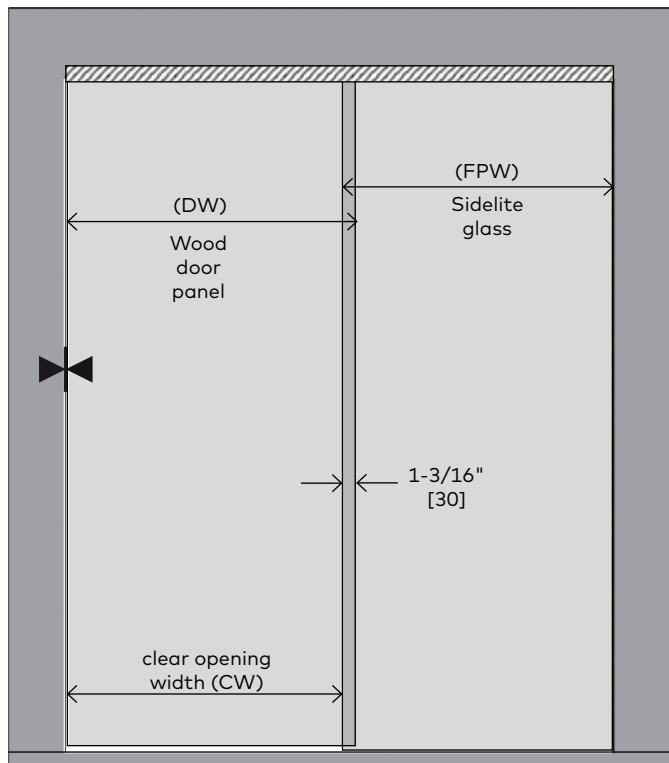
The overhead reinforcement must be a minimum of ¼" [6] x 3" [76] steel angle, 16 gauge metal stud, or two pieces of 1 1/2" [38] thick wood blocking (double stacked), secured to studs or joists on a maximum 16" [406] centers for the length of the track. The overhead reinforcement may be flush on the overhead surface or on the interior of this surface.

Track mounting screws must fully penetrate the steel angle, metal stud, or at a minimum of 2" [51] into wood blocking, utilizing the predrilled holes in the MUTO track.

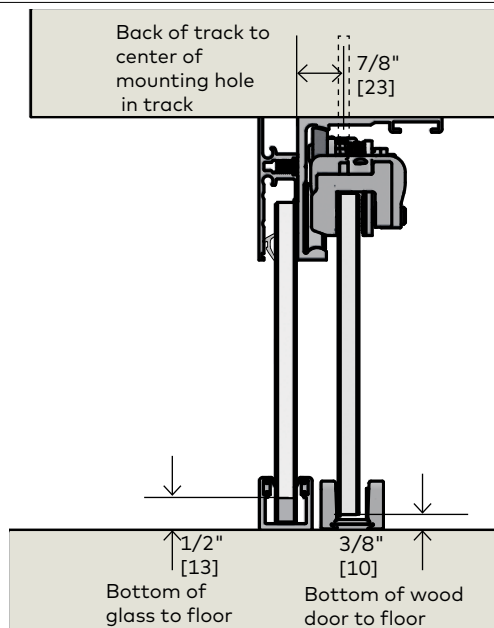
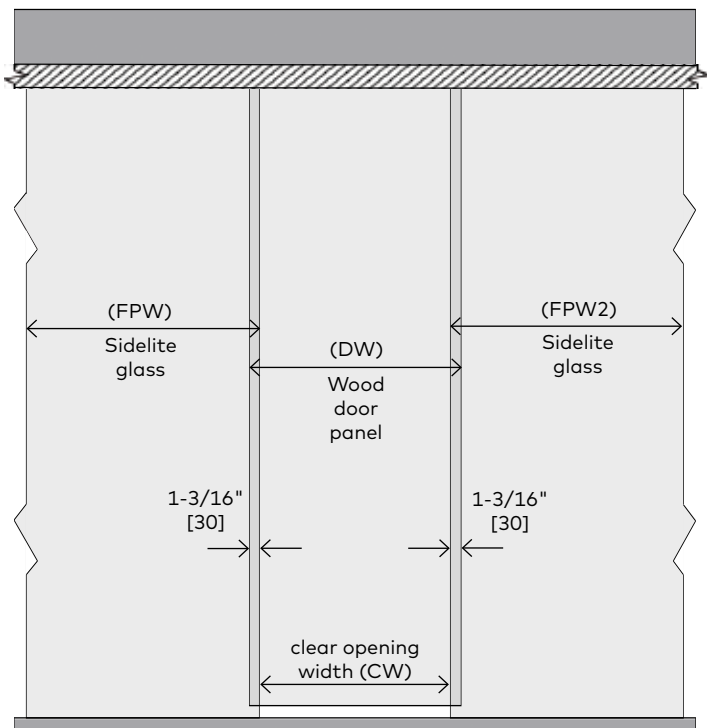
Consult with a structural engineer to determine if reinforcement is adequate for your specific application or to meet specific codes in your location.

2.7 Door/wall dimensions

Single sidelite mount

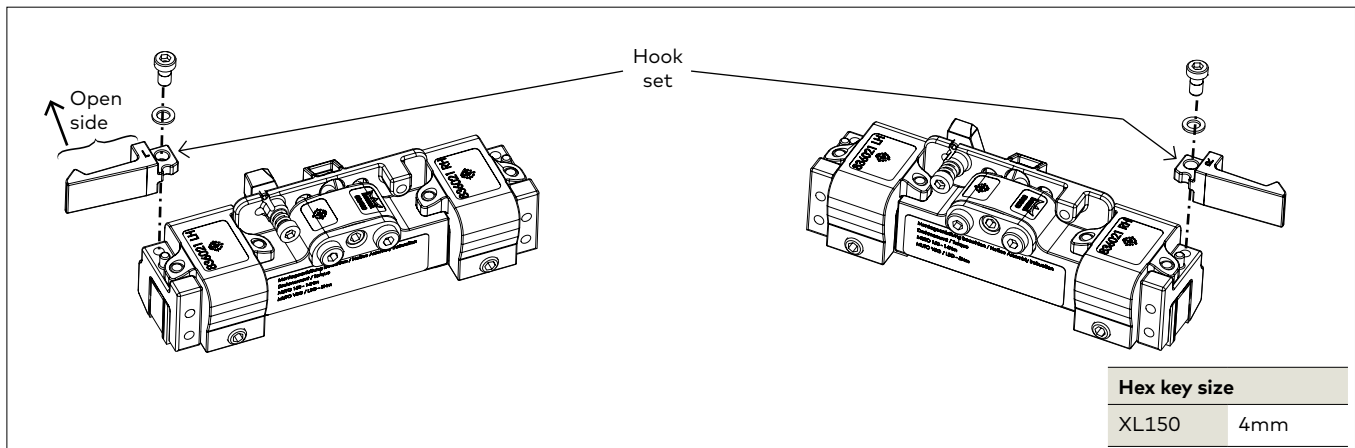


Multiple sidelite mount



2.8 Installing hook set

Fig. 6



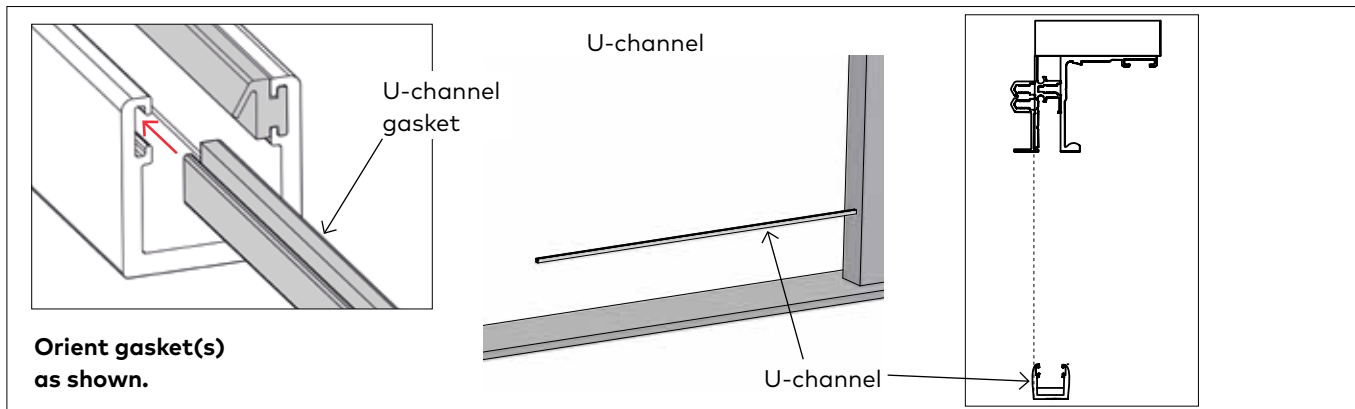
2.8.1 With rollers facing away from the installer, determine which roller will be leading and which will be trailing.

2.8.2 Secure hook onto roller with open side facing away from the installer.

2.8.3 Secure hook using appropriate-size hex key.

2.9 Installing u-channel for sidelite

Fig. 7



2.9.1 Install gaskets as shown. Trim to correct length.

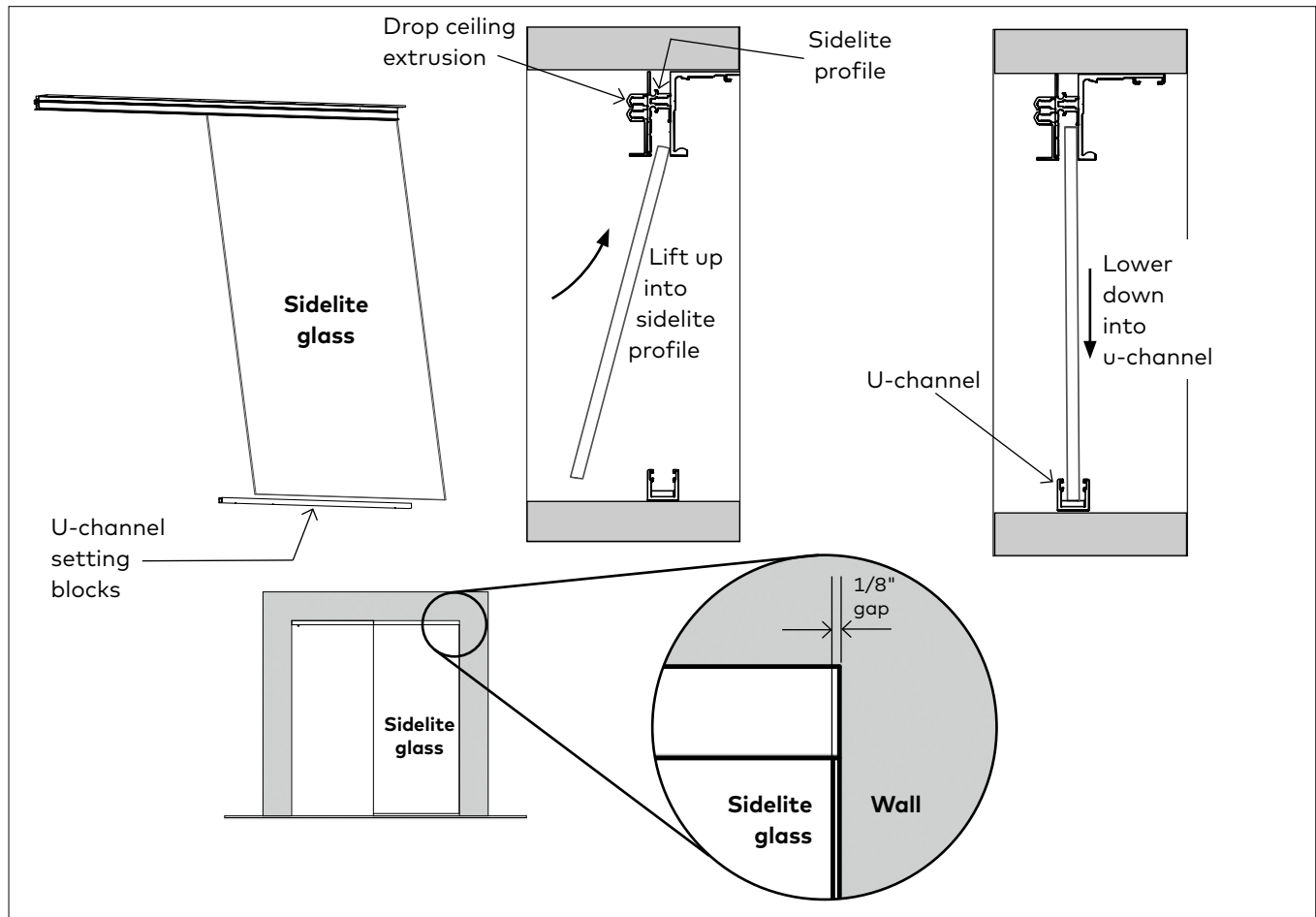
2.9.2 Secure u-channel to floor using appropriate fasteners.

NOTE: Ensure u-channel is plumb and the back of the u-channel profile aligns with back of sidelite profile.

NOTE: Gaskets are pre-installed.

2.10 Installing sidelite glass

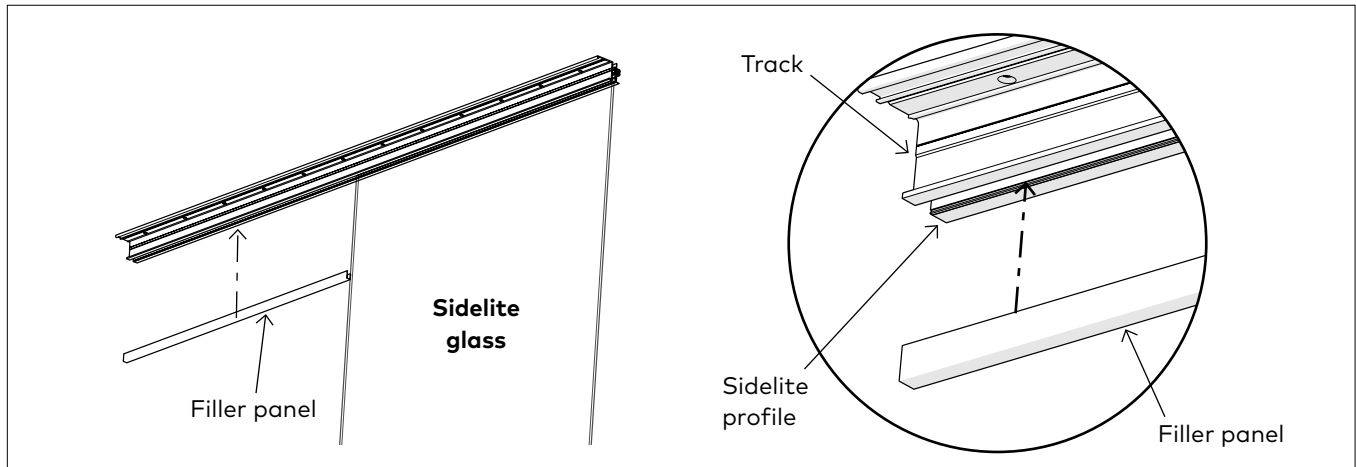
Fig. 8



- 2.10.1 Place setting blocks into u-channel.
- 2.10.2 Spray inside of u-channel with glass cleaner.
- 2.10.3 Lift glass up and into sidelite profile.
- 2.10.4 Lower glass into u-channel.
- 2.10.5 Ensure there is 1/8" [3] gap between wall and edge of sidelite glass.
- 2.10.6 If using tempered laminated glass, gently press glass against u-channel gasket, and dispense silicone along full length of non-gasket side of u-channel.

2.11 Installing sidelite glass filler panel

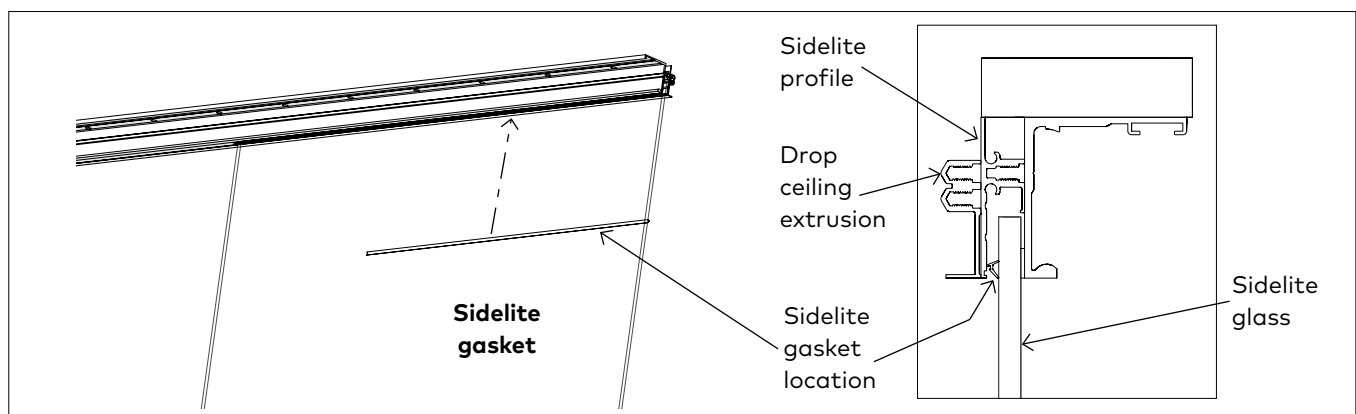
Fig. 9



2.11.1 Fit filler panel between empty part of track and sidelite profile, on door side.

2.12 Installing sidelite glass gasket

Fig. 10

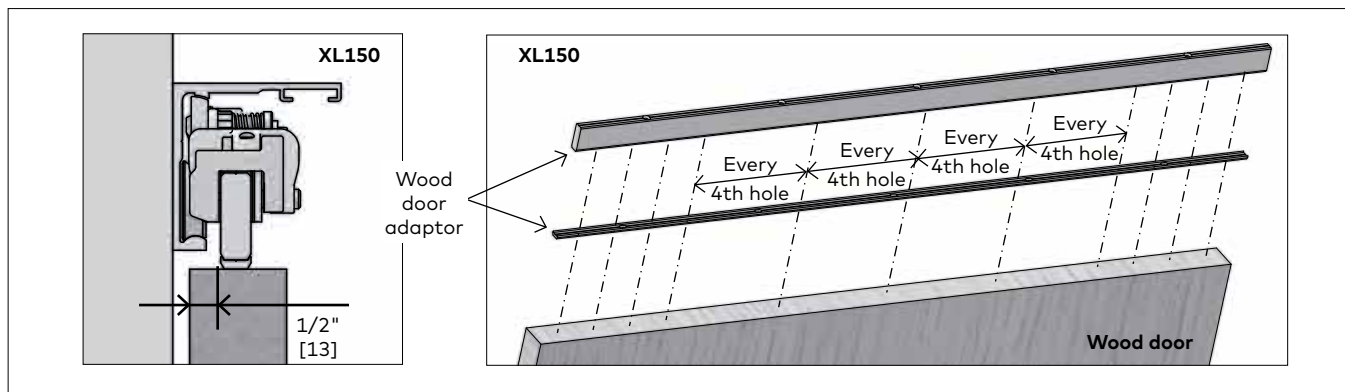


2.12.1 Cut gasket to length.

2.12.2 Press gasket in between sidelite glass and sidelite profile.

2.13 Securing wood door adaptor

Fig. 11



NOTE: Top of door must be reinforced to secure wood door adaptor.

2.13.1 Prepare door properly for wood door adaptor.

NOTE: Seal top and bottom of door to minimize warping (use wood door manufacturer's recommendations).

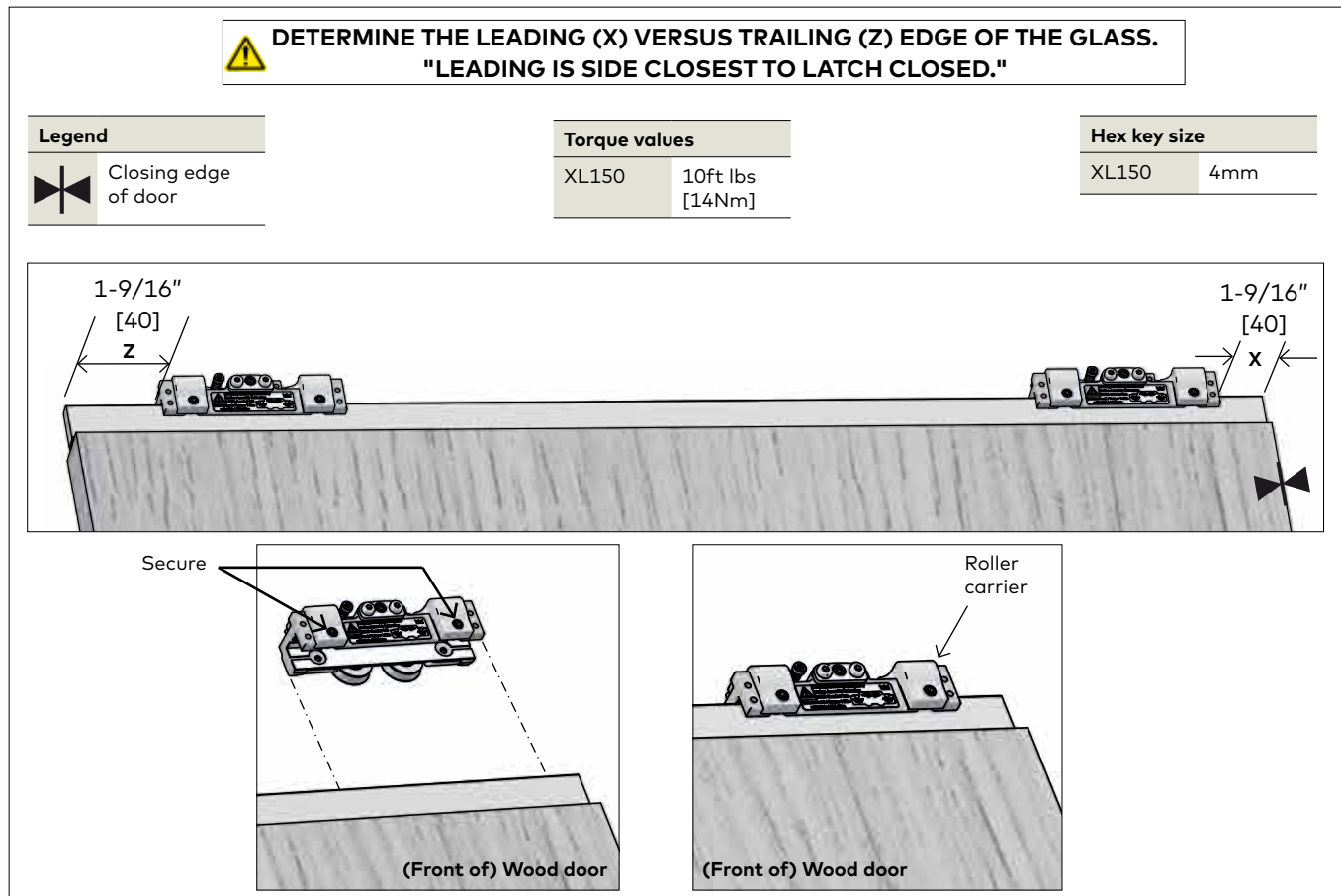
2.13.2 Cut wood door adaptor to be equal width of door.

2.13.3 Secure the two wood door adaptor pieces to top of wood door with #10 x 3" wood screws.

NOTE: Be sure screws are always secured in the first four and last four holes of the adaptor, along with every fourth hole in between.

2.14 Installing roller carriers

Fig. 12



NOTE: FULLY CLEAN SURFACE OF ADAPTOR WITH AN ALCOHOL-BASED MILD GLASS AND SURFACE CLEANER. ENSURE GASKET IS FREE OF DEBRIS.

ENSURE ROLLER CARRIER WHEELS ARE FREE OF DEBRIS.

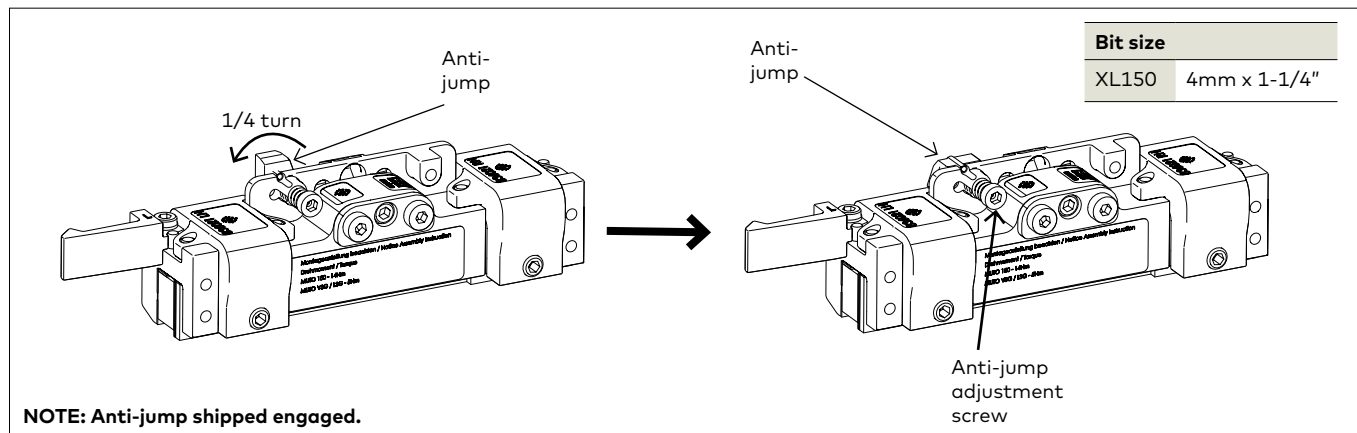
- 2.14.1 Slide roller carriers onto wood door adaptor.
- 2.14.2 Slide gasket and metal shim between adaptor and roller carrier.

NOTE: Orient with gasket facing the adaptor.

- 2.14.3 Secure roller carriers to wood door adaptor using appropriate-size hex key at 10ft lbs (14 Nm).

2.15 Disengaging the anti-jump

Fig. 13



2.15.1 Disengage the anti-jump on roller carrier.

NOTE: Using optional ratchet and provided bit, push anti-jump adjustment screw IN and turn **COUNTER-CLOCKWISE 90°** to **disengage** anti-jump.

2.16 Install door/rollers in track

Fig. 14

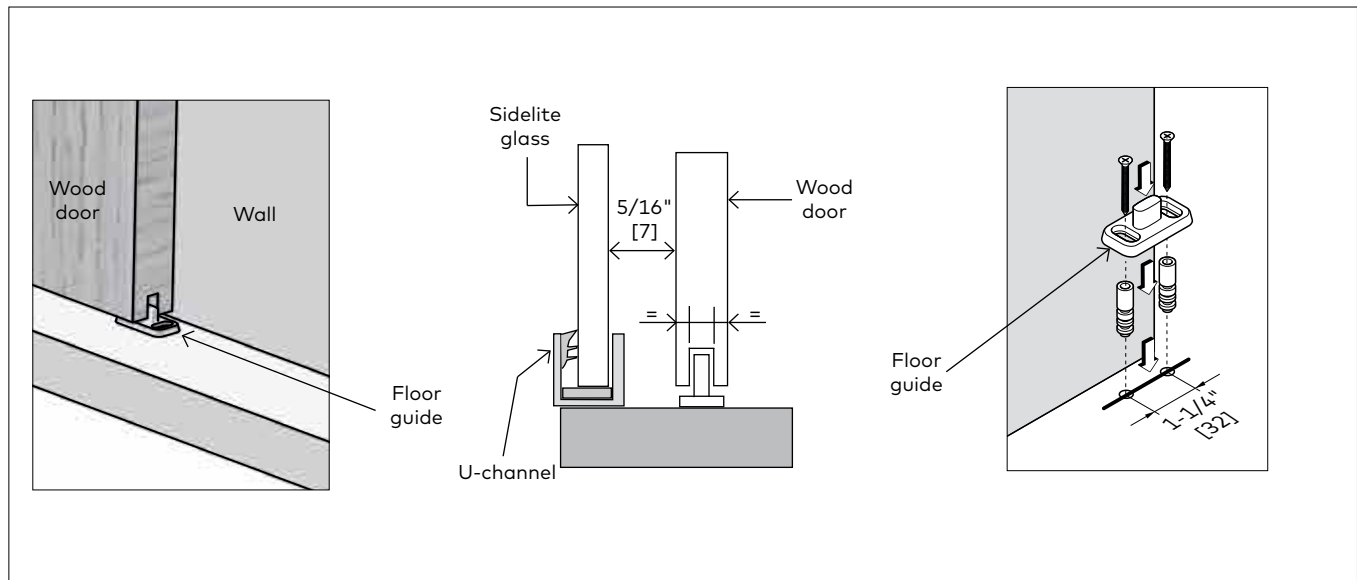


⚠ ENSURE ROLLERS AND TRACK ARE FREE OF DEBRIS.

2.16.1 Tip wood door and rollers upward and rest rollers on track.

2.17 Install floor guide

Fig. 15



⚠ ANTI-JUMP IS DISENGAGED!

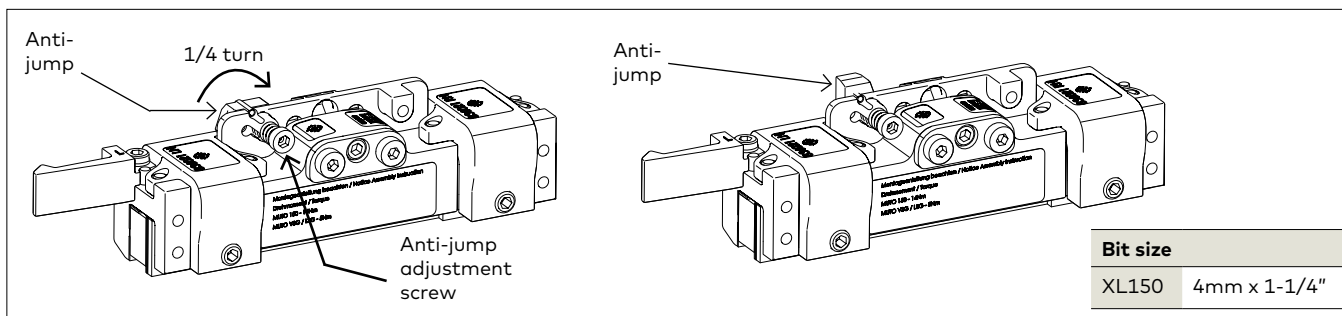
- 2.17.1 Align centerline of glass with centerline of floor guide.
- 2.17.2 Be sure the glass is plumb.
- 2.17.3 Mark appropriate floor guide measurements.

2.17.4 **TEMPORARILY REMOVE GLASS AND ROLLERS FROM TRACK.**

- 2.17.5 Pre-drill into mounting surface using a 5/16" drill bit.
- 2.17.6 Secure floor guide anchor with included fasteners.

2.18 Engaging anti-jump

Fig. 16

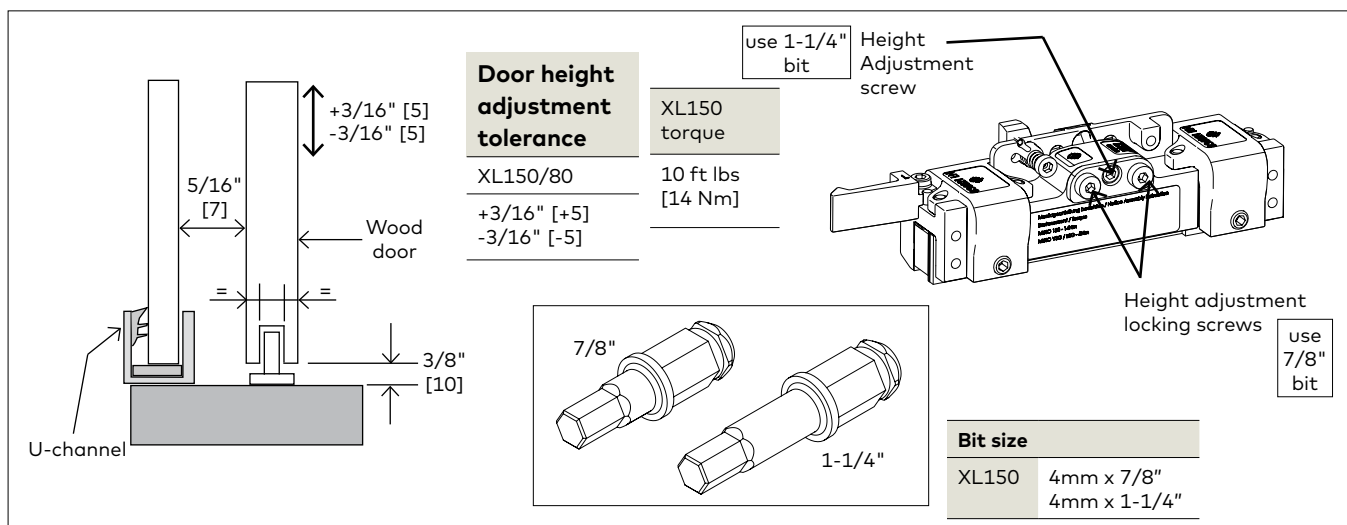


2.18.1 Engage anti-jump on roller carrier.

NOTE: Using optional ratchet and provided bit, push anti-jump adjustment screw IN and turn **CLOCKWISE** 90° to **engage** anti-jump.

2.19 Adjustment door height

Fig. 17



2.19.1 Set height of glass door.

2.19.2 Using the optional ratchet and provided bit, loosen height adjustment locking screws of carrier.

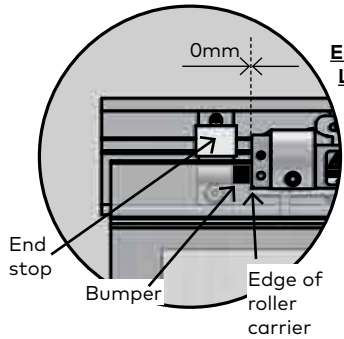
2.19.3 Using optional ratchet and provided bit, turn height adjustment screw **CLOCKWISE** or **COUNTER-CLOCKWISE** to raise or lower glass.

NOTE: Be sure glass is level during this adjustment.

Installation Instructions

2.20 Adjustment end stop location: LEADING end stop

Fig. 18



**END STOP LOCATION:
LEADING EDGE**

0mm

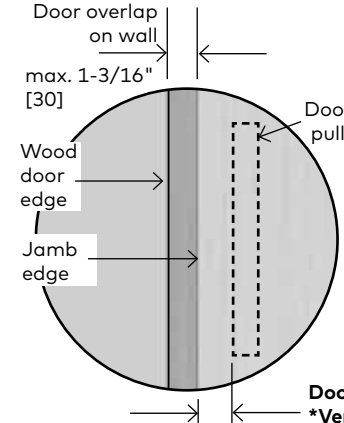
End stop

Bumper

Edge of roller carrier

NOTE: bi-folding:
Be sure there is a
1/4" [6] gap between
the right and left
sets.

Hex key size	
XL150	3mm



Door overlap on wall
max. 1-3/16" [30]

Wood door edge

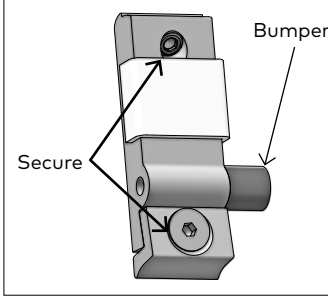
Jamb edge

Door pull

Door pull to jamb distance.
Verify with local jurisdiction.

Set end stop locations:

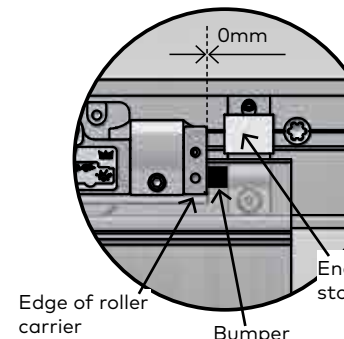
2.20.1 Slide end stop to desired location on track. Bumper should touch edge of roller carrier.



XL150 torque
3 ft lbs [4 Nm]

Adjustment end stop location: TRAILING end stop

Fig. 19



**END STOP LOCATION:
TRAILING EDGE**

0mm

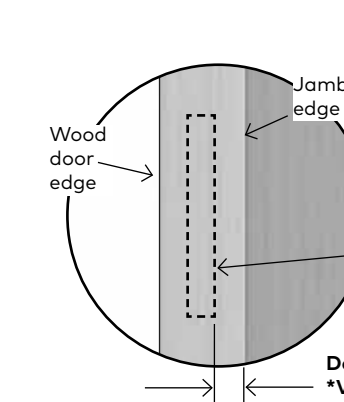
Edge of roller carrier

Bumper

End stop

NOTE: bi-folding:
Be sure there is a
1/4" [6] gap between
the right and left
sets.

Hex key size	
XL150	3mm



Wood door edge

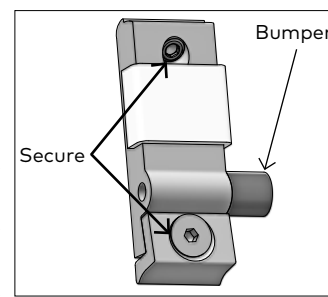
Jamb edge

Door pull

Door pull to jamb distance.
Verify with local jurisdiction.

Set end stop locations:

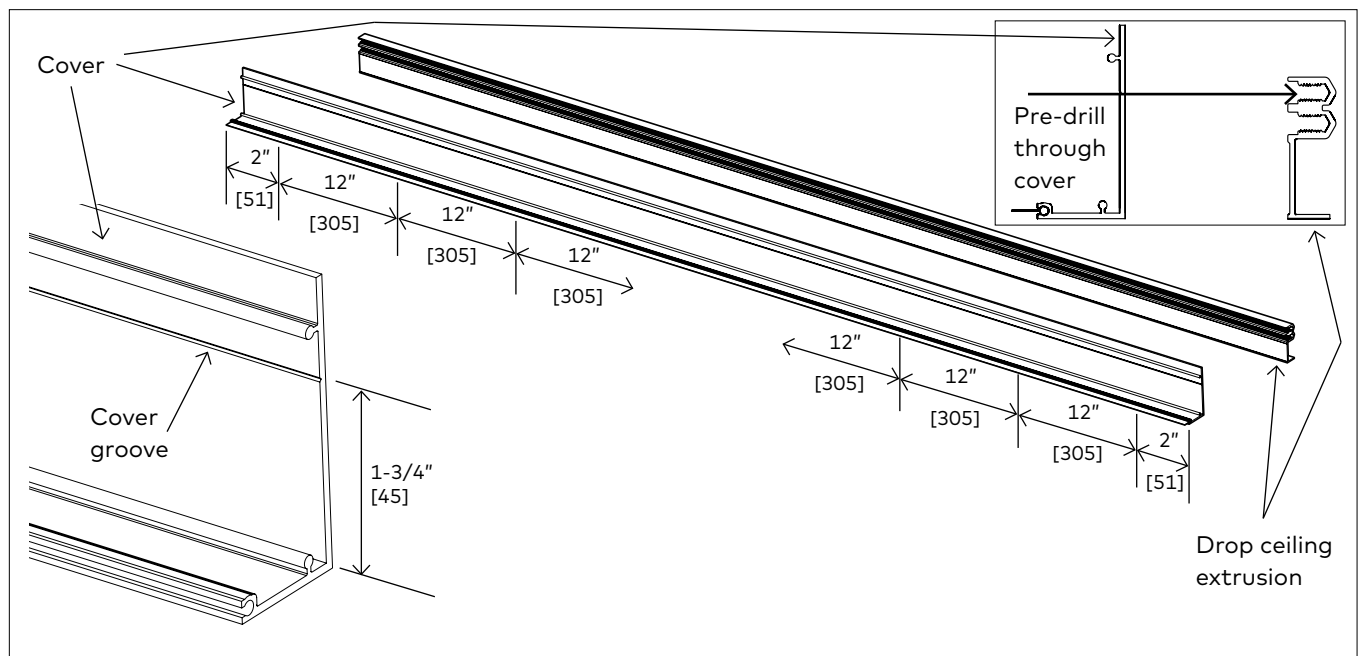
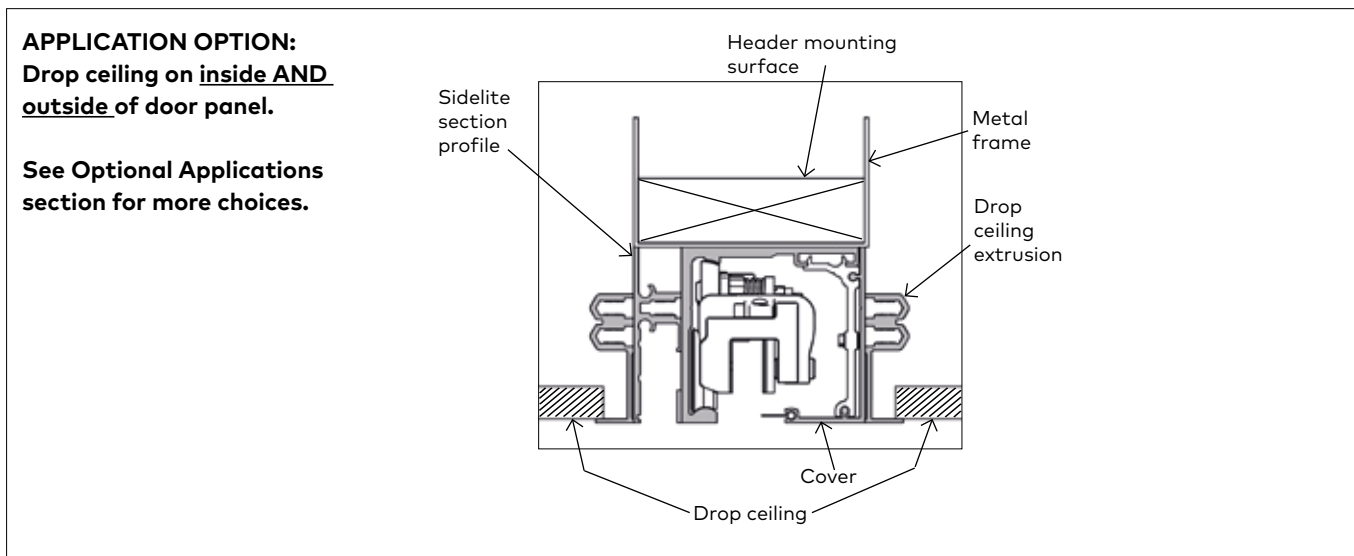
2.20.1 Slide end stop to desired location on track. Bumper should touch edge of roller carrier.



XL150 torque
3 ft lbs [4 Nm]

2.21 Secure drop ceiling extrusion to cover

Fig. 20

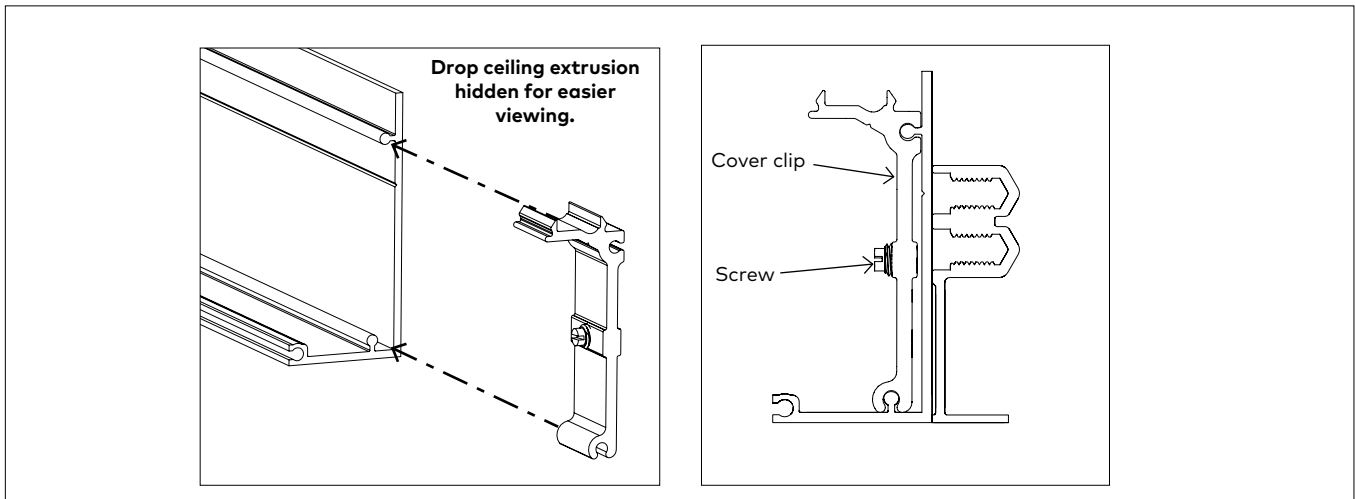


2.21.1 Pre-drill holes through cover groove into drop ceiling extrusion.

- **End holes:** approximately 2" [51] from end of cover
- **All other holes:** approximately 12" [305] apart

2.22 Install recessed cover clips

Fig. 21

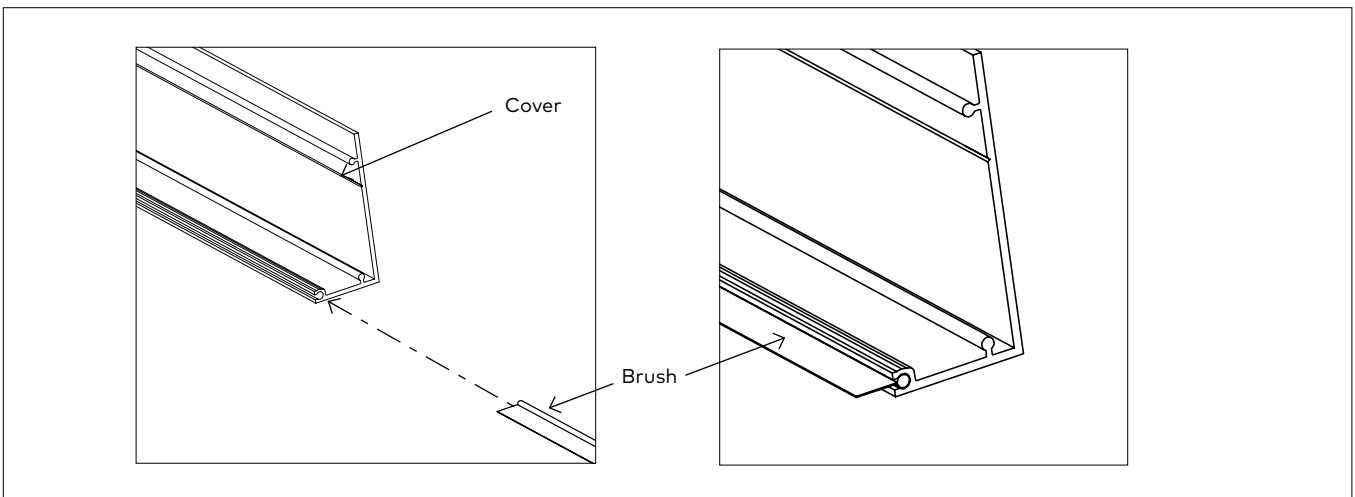


- 2.22.1 Slide cover clips on from end of cover.
- 2.22.2 Tighten with screw. **Be sure not to damage cover.**

NOTE: 1 clip per 2 feet of cover extrusion.

2.23 Install brush profile

Fig. 22

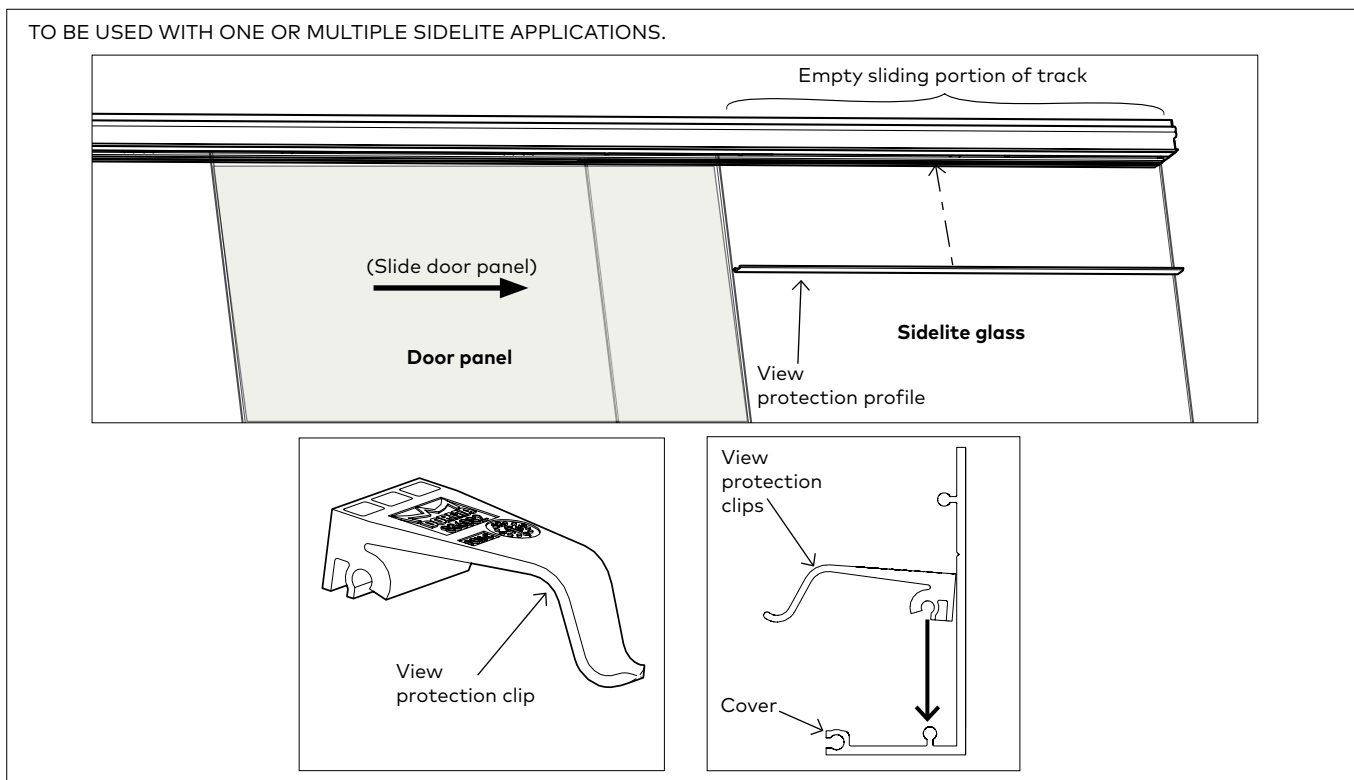


- 2.23.1 Measure and cut brush to appropriate length.

- 2.23.2 Slide brush into cover.

2.24 Install view protection clips

Fig. 23

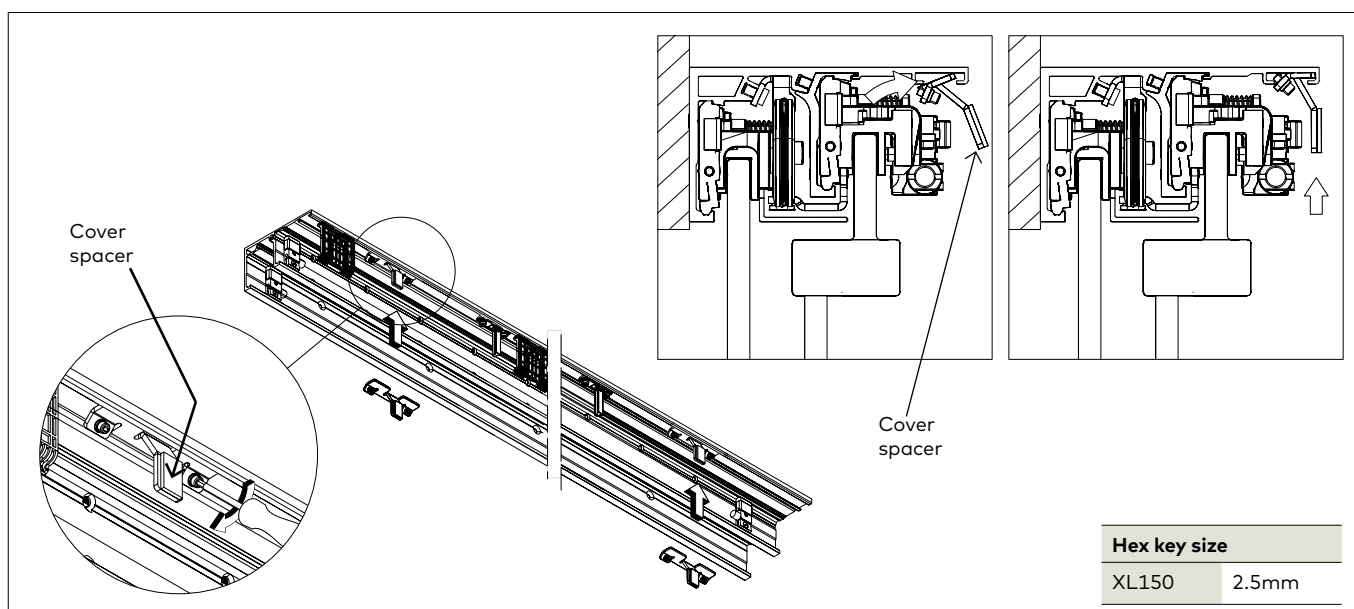


- 2.24.1 Measure and cut view protection profile to fit into empty sliding portion of track - 3/16" [5].
- 2.24.2 Snap view protection clips onto inside of cover as shown.

- 2.24.3 Use minimum 1 clip per foot of profile.
Exception: If profile is minimum of 1 foot [305] in length, use 2 clips.

2.25 Cover spacers

Fig. 24

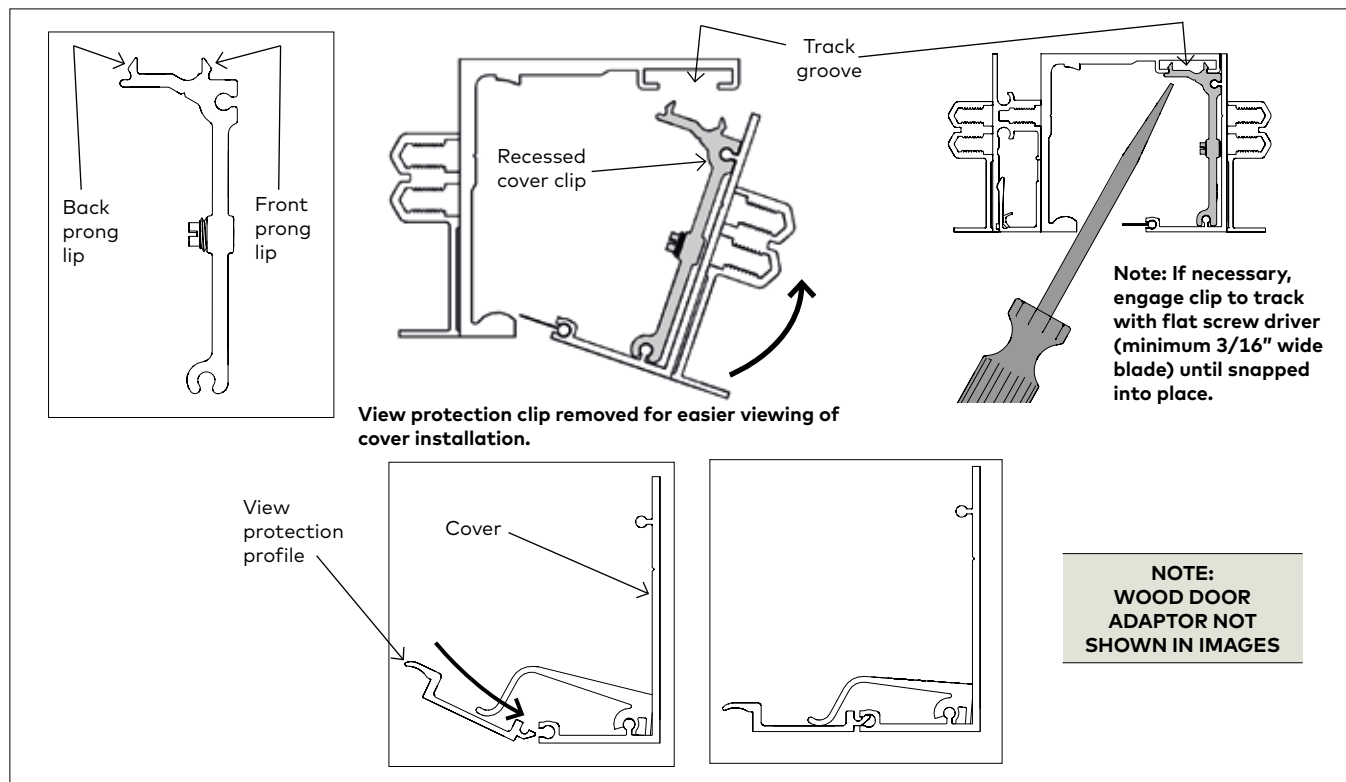


- 2.25.1 Tip cover spacers into outer most edge of track.

- 2.25.2 Place one at each end of track as shown.
- 2.25.3 Tighten at at 1 ft lbs [1Nm] or hand tighten.

2.26 Install cover and view protection profile

Fig. 25



2.26.1 Install cover:

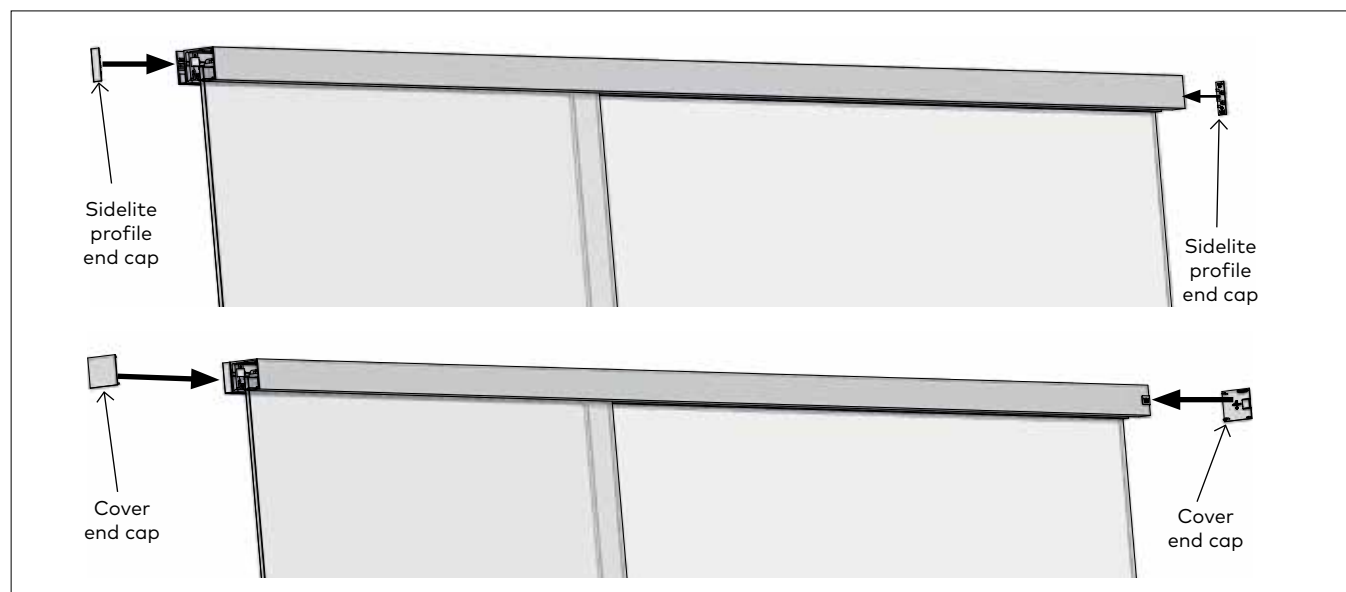
- Insert back prong lip of recessed cover clip into groove first.
- Rotate cover assembly up and then snap front prong lip of clip into track groove.

2.26.2 Once cover is in place, tip view protection profile up in between track and cover.

2.26.3 Snap down into cover and onto track as shown.

2.27 Install end caps

Fig. 26



2.27.1 Snap sidelite profile end caps into sidelite profile.

2.27.2 Snap end caps into cover.

3 Optional applications

Fig. 27

